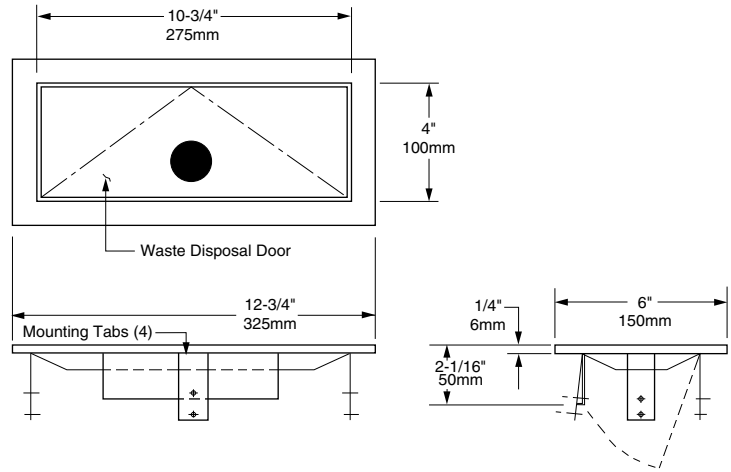




Technical Data

WASTE-DISPOSAL DOOR FOR MOUNTING IN COUNTERTOPS

B-527



Rough Countertop Cutout
 11-1/4" (285mm) wide
 4-1/2" (115mm) high
 3/4" to 1-1/2" (19 to 38mm) mounting thickness
 4-1/2" (115mm) minimum clearance below mounting surface

MATERIALS:

Flange — 18-8 S, type-304, 22-gauge (0.8mm) stainless steel. 1/4" (6mm) 90° return for maximum rigidity.

Waste-Disposal Door — 18-8 S, type-304, 22-gauge (0.8mm) stainless steel. All-welded construction. Self-closing door is equipped with a spring-loaded, full-length stainless steel piano-hinge. International graphic symbol identifies unit.

OPERATION:

Self-closing door allows convenient disposal of paper towels and waste from the top by pushing downward through the hinged opening, then shuts tightly after use.

Designer's Notes: Waste receptacle is not included with unit. Housing below countertop to conceal waste receptacle is not included with the unit—must be furnished by others. Waste-disposal door may be mounted in vertical surfaces of countertop also, including aprons, skirts, or front of cabinets.

INSTALLATION:

Unit is designed for installation in countertop. 4-1/2" (114mm) minimum clearance below mounting surface is required. Mount unit through a cutout specially ordered from countertop manufacturer or field cut. Dimensions of cutout are to be 11-1/4" wide x 4-1/2" high (285 x 115mm). Adjustable mounting tabs accommodate mounting thicknesses from 3/4" to 1-1/2" (19 to 38mm). For complete installation instructions, see Form No. 527-69, packed with each shipment; also available in advance on request.

SPECIFICATION:

Waste-disposal door for mounting in countertops shall be type-304 stainless steel with all-welded construction; exposed surfaces shall have satin finish. Flange shall have 1/4" (6mm) 90° return. Self-closing door shall be equipped with a spring-loaded, full-length stainless steel piano-hinge and an international graphic symbol. Manufacturer's service and parts manual shall be provided to the building owner/manager upon request.



RYNAT INDUSTRIES AUSTRALIA PTY LTD | www.rynat.com | Email: sales@rynat.com |
 Aust Wide: 1300 558 518 | Tel: +61 8 6254 6555 | 20 Murray Rd South Welshpool WA |