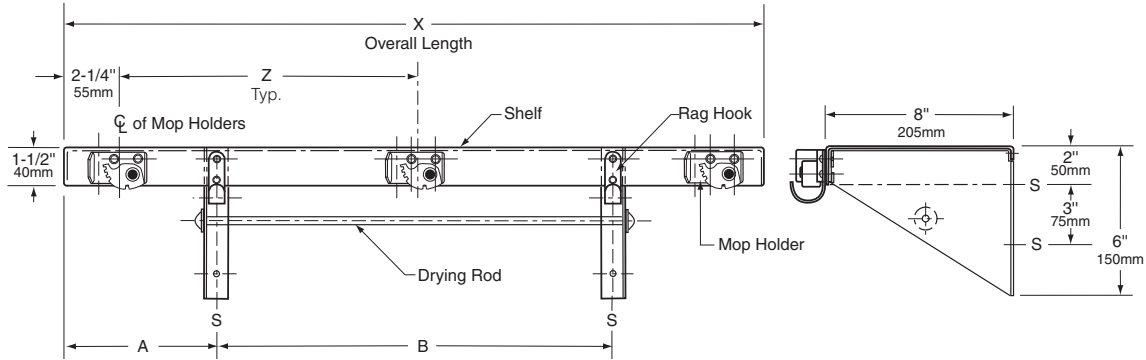




Technical Data

# UTILITY SHELF WITH MOP/BROOM HOLDERS AND RAG HOOKS

# B-224



| Model Number | Dim. X      | No. of Mop Holders | Dim. Z          | No. of Rag Hooks | Dim. A         | Dim. B      |
|--------------|-------------|--------------------|-----------------|------------------|----------------|-------------|
| B-224 x 36   | 36" (915mm) | 4                  | 10-1/2" (265mm) | 3                | 6-1/2" (165mm) | 23" (585mm) |

### MATERIALS:

**Shelf** — 18-8 S, type-304, 18-gauge (1.2mm) stainless steel with satin finish. Shelf has 1-1/2" (38mm) return edge for maximum rigidity.

**Mounting Brackets** — 18-8 S, type-304, 18-gauge (1.2mm) stainless steel with satin finish; welded to shelf.

**Mop/Broom Holders** — Spring-loaded rubber cams with anti-slip coating.

**Rag Hooks** — 18-8 S, type-304, 16-gauge (1.6mm) stainless steel with satin finish; secured to shelf with rivets.

**Drying Rod** — 18-8 S, type-304, 1/4" (6mm) diameter stainless steel with satin finish.

### OPERATION:

Surface-mounted utility shelf with holders is designed to keep mops and brooms away from wall. Spring-loaded rubber cam holders accommodate mop or broom handles from 7/8" to 1-1/4" (22–32mm) diameter. Hooks for conveniently storing rags are located on front of shelf. Rod for hanging wet rags is located below shelf between mounting brackets.

### INSTALLATION:

Secure unit to wall with four sheet-metal screws, furnished by manufacturer, at points indicated by an S. For plaster or dry wall construction, provide concealed backing to comply with local building codes, then secure unit with sheet-metal screws furnished. For other wall surfaces, provide fiber plugs or expansion shields for use with sheet-metal screws furnished, or provide 1/8" (3mm) toggle bolts or expansion bolts.

### SPECIFICATION:

Surface-mounted utility shelf with mop/broom holders and rag hooks shall be type-304 stainless steel with satin finish. Shelf shall be 18 gauge (1.2mm) with 1-1/2" (38mm) return edge. Mounting brackets, welded to shelf, shall be 18 gauge (1.2mm). Manufacturer's service and parts manual shall be provided to the building owner/manager upon request.



RYNAT INDUSTRIES AUSTRALIA PTY LTD | [www.rynat.com](http://www.rynat.com) | Email: [sales@rynat.com](mailto:sales@rynat.com) |

| Aust Wide: 1300 558 518 | Tel: +61 8 6254 6555 | 20 Murray Rd South Welshpool WA |