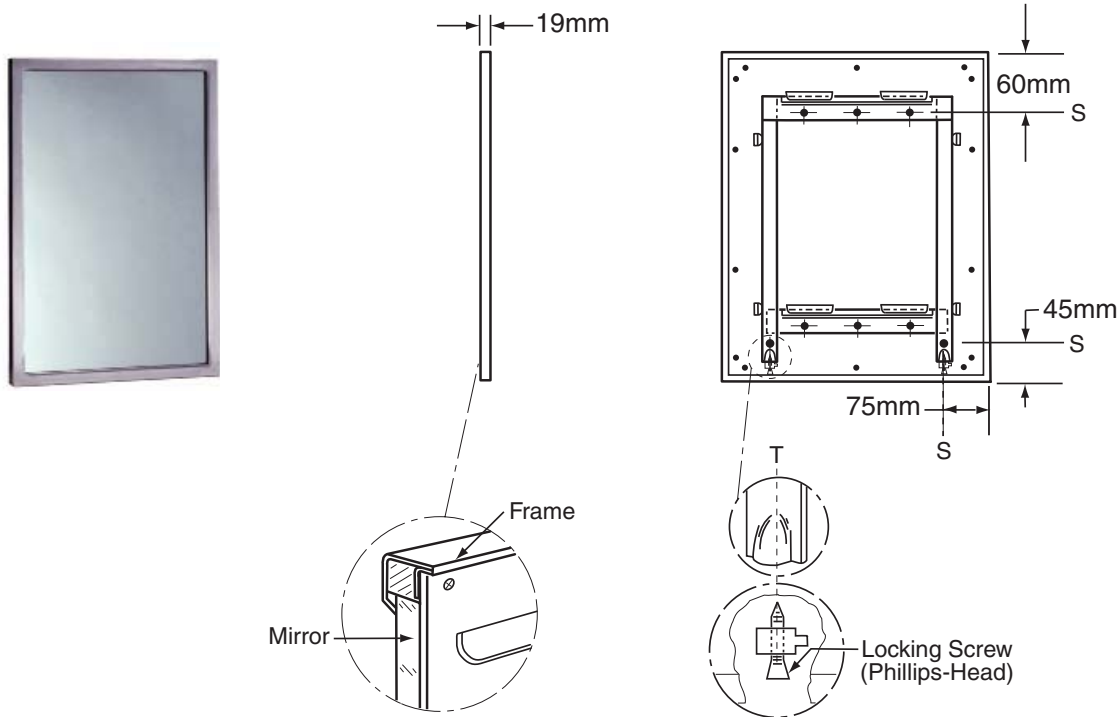


**BOBRICK****Technical Data****TEMPERED GLASS  
MIRROR WITH  
STAINLESS STEEL  
ANGLE FRAME****B-2908 1639****SCREW LOCKING DESIGN****(Rear View)****Designer's Notes:**

1. Special-order only.
2. All Bobrick framed mirrors are manufactured to overall width and height dimensions. Mirror will be furnished 40.6 x 99cm outside-of-frame to outside-of-frame.
3. Bobrick framed mirrors are manufactured to a tolerance  $\pm 3.2$ mm.
4. For sufficient space to lift mirror onto wall hanger(s), provide 85mm minimum clearance above center line of mounting screw holes.
5. Provide 25mm minimum clearance at bottom of mirror for engaging locking screws and 25mm clearance on each side.

**MATERIALS:**

**Frame** — 18-8 S, type-304, heavy-gauge stainless steel, 19 x 19mm angle with vertical-grain satin finish. One-piece, roll-formed construction forms continuous integral stiffener on all sides. Bevel design on front of angle holds frame tightly against mirror. Corners are welded, ground, and polished smooth. Galvanized steel back is fastened to frame with concealed screws and equipped with integral horizontal hanging brackets. Concealed Phillips-head locking screws securely fasten mirror to wall hanger(s).

*Designer's Note:* Type 304 stainless steel provides superior corrosion resistance, compared to 400 Series stainless steel, against environmental moisture, hose-down maintenance and strong cleaning solution.

**Mirror** — (B-2908 Series) No. 1 quality, 6mm tempered select float glass: selected for silvering and electrolytically copper-plated by the galvanic process.

**Note:** These reflective surfaces resist breakage and provide a measure of safety from broken glass, but differ in color and reflective quality from standard glass mirrors.

All edges protected by plastic filler strips. Backs of all glass mirrors are protected by full-size, shock-absorbing, water-resistant, nonabrasive, 5mm thick polyethylene padding.

**Concealed Wall Hanger(s)** — 20-gauge (0.9mm) galvanized steel incorporates lower support member forming rigid rectangle, which engages lower backplate louvers to keep bottom of mirror against wall.

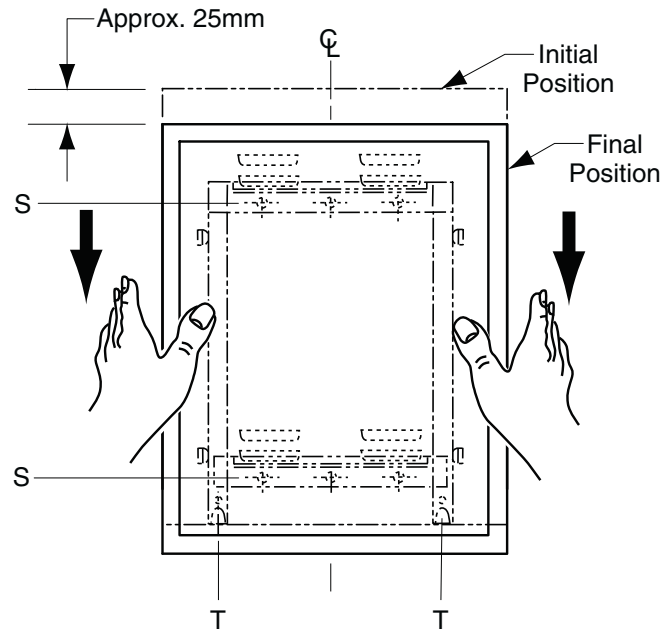
continued . . .

## INSTALLATION:

Mount wall hanger on wall with screws (not furnished) at points indicated by an S. For plaster or drywall construction, provide concealed backing to comply with local building codes, then secure wall hanger with screws (not furnished). For other wall surfaces, provide fiber plugs or expansion shields for use with screws (not furnished), or provide 3mm toggle bolts or expansion bolts. Hang mirror on wall hanger. Lock mirror to wall hanger by tightening Phillips-head locking screws that are concealed in bottom of frame at points indicated by a T.

**Screw locking Design** — Lock mirror to wall hanger by tightening Phillips-head locking screws that are concealed in the bottom of frame at points indicated by a T. Mirror may be unlocked from wall hanger by loosening locking screws and lifting mirror off of concealed wall hanger.

### SCREW LOCKING DESIGN (Front View)



## SPECIFICATION:

Mirror shall have a one-piece type 304 stainless steel angle frame, 19 x 19mm with continuous integral stiffener on all sides and beveled front to hold frame tightly against mirror; corners shall be welded, ground, and polished smooth; all exposed surfaces shall have satin finish with vertical grain. Mirror shall be tempered glass. All edges shall be protected by plastic filler strips. Backs of all glass mirrors shall be protected by full-size, shock-absorbing, water-resistant, nonabrasive, 5mm thick polyethylene padding. Galvanized steel back shall have integral horizontal hanging brackets located at top for mounting on concealed rectangular wall hanger. Mirror shall be secured to wall hanger with concealed Phillips-head locking screws located in bottom of frame.



RYNAT INDUSTRIES AUSTRALIA PTY LTD | [www.rynat.com](http://www.rynat.com) | Email: [sales@rynat.com](mailto:sales@rynat.com) |

| Aust Wide: 1300 558 518 | Tel: +61 8 6254 6555 | 20 Murray Rd South Welshpool WA |