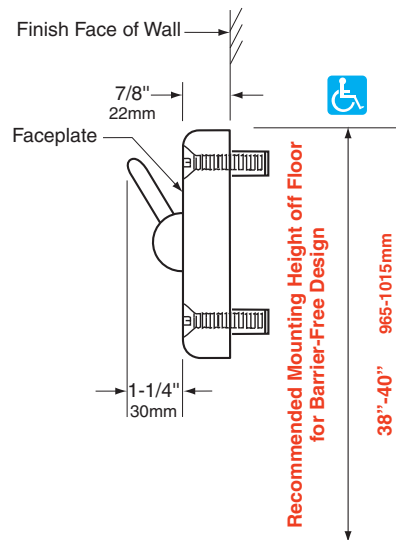
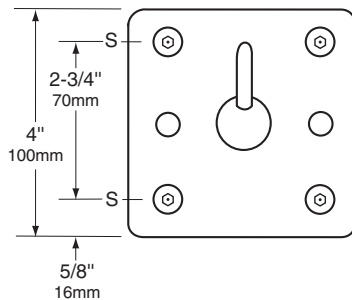




Technical Data

**VANDAL-RESISTANT
CLOTHES HOOK
(SECURED FROM FRONT)**

B-983



MATERIALS:

18-8 S, type-304 stainless steel with satin finish. Faceplate is 14-gauge (2mm). Hook snaps down for safety if excessively loaded.

INSTALLATION:

Secure unit to wall at all points indicated by an S. Unit has countersunk screw holes and is furnished with four 1/4-20 x 1 1/2" (6 x 40mm), tamper-resistant, flat-head, hex-socket, stainless steel machine screws and a security hex key for installation. Expansion shields are not furnished by manufacturer.

SPECIFICATION:

Clothes hook shall be type-304 stainless steel with satin finish. Faceplate shall be 14-gauge (2mm). Hook shall snap down for safety if excessively loaded. Unit shall be furnished with tamper-resistant mounting screws.



RYNAT INDUSTRIES AUSTRALIA PTY LTD | www.rynat.com | Email: sales@rynat.com |
Aust Wide: 1300 558 518 | Tel: +61 8 6254 6555 | 20 Murray Rd South Welshpool WA |