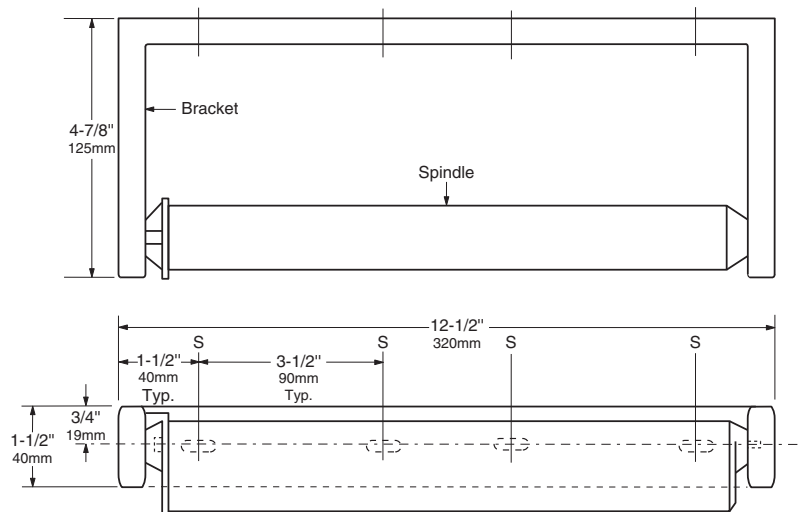
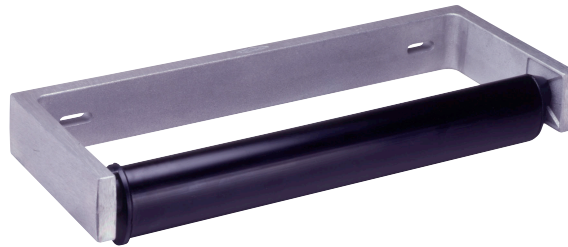




Technical Data

SURFACE-MOUNTED ROLL-PAPER-TOWEL DISPENSER

B-253



MATERIALS:

Bracket — Heavy-duty cast aluminum with satin finish.

Spindle — Molded and extruded ABS. Equipped with retractable pin and concealed locking mechanism.

OPERATION:

Controlled delivery. Spindle revolves 3/4 revolution on each dispensing operation. Counterbalanced spindle automatically returns to original position. Eliminates waste. Accommodates paper towel rolls up to 6" (152mm) in diameter. Spindle can only be removed with special key furnished with unit. Vandal-resistant.

INSTALLATION:

Mount unit on wall with sheet-metal screws (not furnished) at points indicated by an S. For plaster or dry wall construction, provide concealed backing to comply with local building codes, then secure unit with four #8 x 1-1/2" (4 x 38mm) sheet-metal screws. For other wall surfaces, provide fiber plugs or expansion shields for use with sheet-metal screws or provide 1/8" (3mm) toggle bolts or expansion bolts.

SPECIFICATION:

Surface-mounted roll-paper-towel dispenser shall be heavy-duty cast aluminum with satin finish. Spindle shall be molded and extruded ABS and shall be equipped with a retractable pin and concealed locking mechanism. Unit shall accommodate rolls up to 6" (152mm) in diameter and shall have controlled delivery operation. Manufacturer's service and parts manual shall be provided to the building owner/manager upon request.



RYNAT INDUSTRIES AUSTRALIA PTY LTD | www.rynat.com | Email: sales@rynat.com |
Aust Wide: 1300 558 518 | Tel: +61 8 6254 6555 | 20 Murray Rd South Welshpool WA |