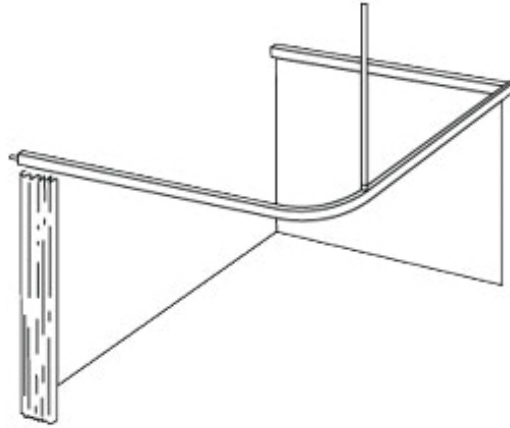


Technical Data

**CURTAIN TRACK
SYSTEM
(TO SUIT AS1428.1-2009)**

AL16C



Model: AL16C (Suits Australian Standards AS 1428.1-2009)
Size: 1600mm x 1200mm wide
Includes: Rail, Hooks and White Curtain (3000mm x 2100mm)

- Strong Durable Aluminium Anodised Shower Track
- 1000mm Ceiling Supports (cut to length required)
- Concealed Fixings
- Hooks included
- Curtains are Flame Resistant (AS2722.2-1985)
- Mould Resistant and Machine Washable

Curtain lengths available	
Wide	Long
1800mm	x 1800mm
1800mm	x 2100mm
2400mm	x 1800mm
2400mm	x 2100mm
3000mm	x 2100mm



RYNAT INDUSTRIES AUSTRALIA PTY LTD | www.rynat.com | Email: sales@rynat.com |
| Aust Wide: 1300 558 518 | Tel: +61 8 6254 6555 | 20 Murray Rd South Welshpool WA |