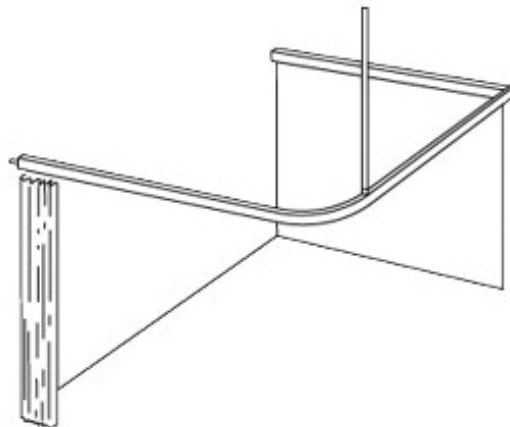




## Technical Data

Curtain Track System  
Suit AS1428.1 - 2009  
AL16C



**Model:** AL16C (Suits Australian Standards AS 1428.1-2009)  
**Size:** 1600mm x 1200mm wide  
**Includes:** Rail, Hooks and White Curtain (3000mm x 2100mm)

- Strong Durable Aluminium Anodised Shower Track
- 1000mm Ceiling Supports (cut to length required)
- Concealed Fixings
- Hooks included
- Curtains are Flame Resistant (AS2722.2-1985)
- Mould Resistant and Machine Washable

| Curtain lengths available |          |
|---------------------------|----------|
| Wide                      | Long     |
| 1800mm                    | x 1800mm |
| 1800mm                    | x 2100mm |
| 2400mm                    | x 1800mm |
| 2400mm                    | x 2100mm |
| 3000mm                    | x 2100mm |