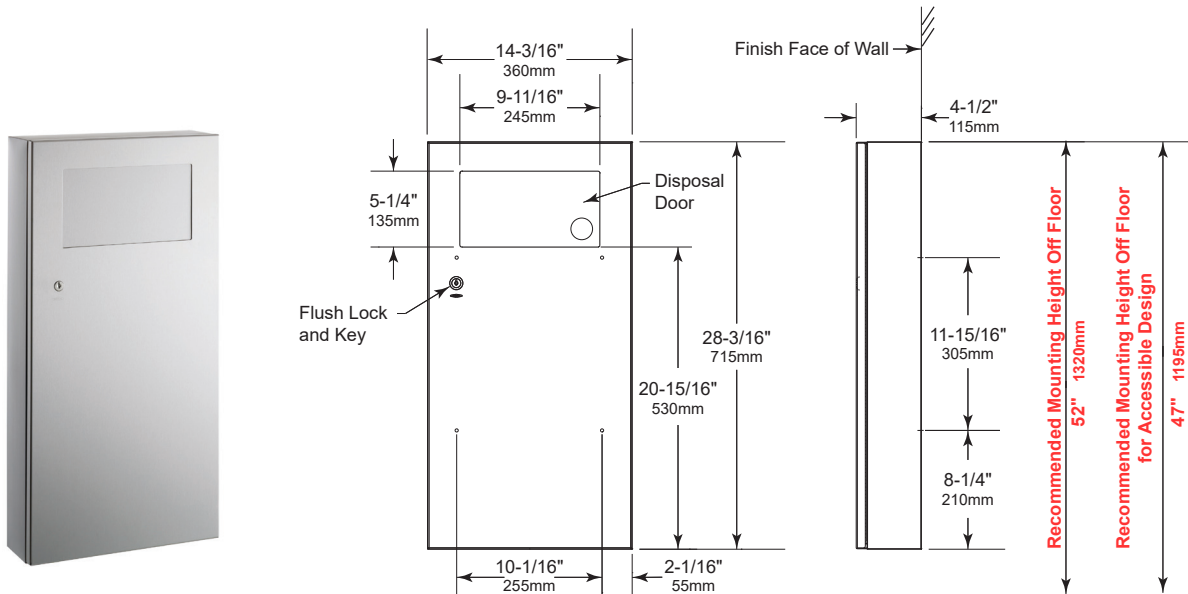




Technical Data

Trimline Series Surface Mounted
Waste Receptacle With Disposal Door
B35639



MATERIALS:

Cabinet — 18-8, Type-304, heavy-gauge stainless steel. All-welded construction. Exposed surfaces have satin-finish.

Skirt — 18-8, Type-304, stainless steel with satin-finish.

Door — 18-8, Type-304, 18-gauge (1.2mm) stainless steel with satin-finish. Secured to cabinet with a concealed, full-length stainless steel piano-hinge. Equipped with one tumbler lock keyed like other Bobrick washroom accessories. Tumbler lock flush with the door - no protrusion. Self-closing push door mounted on continuous stainless steel piano hinge.

Disposal Door — 18-8, Type-304, heavy-gauge stainless steel with satin finish. Secured to cabinet with spring-loaded, full length stainless steel piano hinge. Equipped with International graphic symbol identifying waste disposal.

Waste Receptacle — 18-8, Type-304, heavy-gauge stainless steel. All-welded construction. Removable for servicing. Capacity: 3-gal. (11.3-L).

OPERATION:

To service waste receptacle, unlock door with key provided and remove waste container. Cable door-swing limiter prevents damage to washroom accessories and walls.

INSTALLATION:

Mount unit on wall with four #10 x 1-1/4" (4.8 x 32mm) sheet-metal screws (not furnished) at points indicated by an S. For plaster or dry wall construction, provide concealed backing to comply with local building codes, then secure unit with sheet-metal screws. For other wall surfaces, provide fiber plugs or expansion shields for use with sheet-metal screws, or provide 3/16" (5mm) toggle bolts or expansion bolts. If unit projects above top of wainscot, provide aluminum channel or other filler to eliminate gap between cabinet and finish face of wall.

Replacement Parts:

Skirt Replacement Kit	35639-53
Door Replacement Kit	35639-173
Waste Receptacle Replacement Kit	35639-83

SPECIFICATION:

Surface-mounted waste receptacle with disposal door shall be Type-304 stainless steel with all-welded construction; exposed surfaces shall have satin finish. Door shall be Type-304, 18 gauge (1.2mm) secured to cabinet with a concealed, full-length stainless steel piano-hinge, cable door-swing limiter and equipped with a tumbler lock keyed like other Bobrick washroom accessories. Tumbler lock flush with the door - no protrusion. Waste receptacle shall be Type-304, heavy-gauge stainless steel. All-welded construction with a capacity of 3-gal. (11.3-L).

Surface-Mounted Waste Receptacle with Disposal Door shall be Model B-35639 of Bobrick Washroom Equipment, Inc., Clifton Park, New York; Jackson, Tennessee; Los Angeles, California; Bobrick Washroom Equipment Company, Scarborough, Ontario; Bobrick Washroom Equipment Pty. Ltd., Australia; and Bobrick Washroom Equipment Limited, United Kingdom.

The illustrations and descriptions herein are applicable to production as of the date of this Technical Data Sheet. The manufacturer reserves the right to, and does from time to time, make changes and improvements in designs and dimensions.

Revised 3/1/21