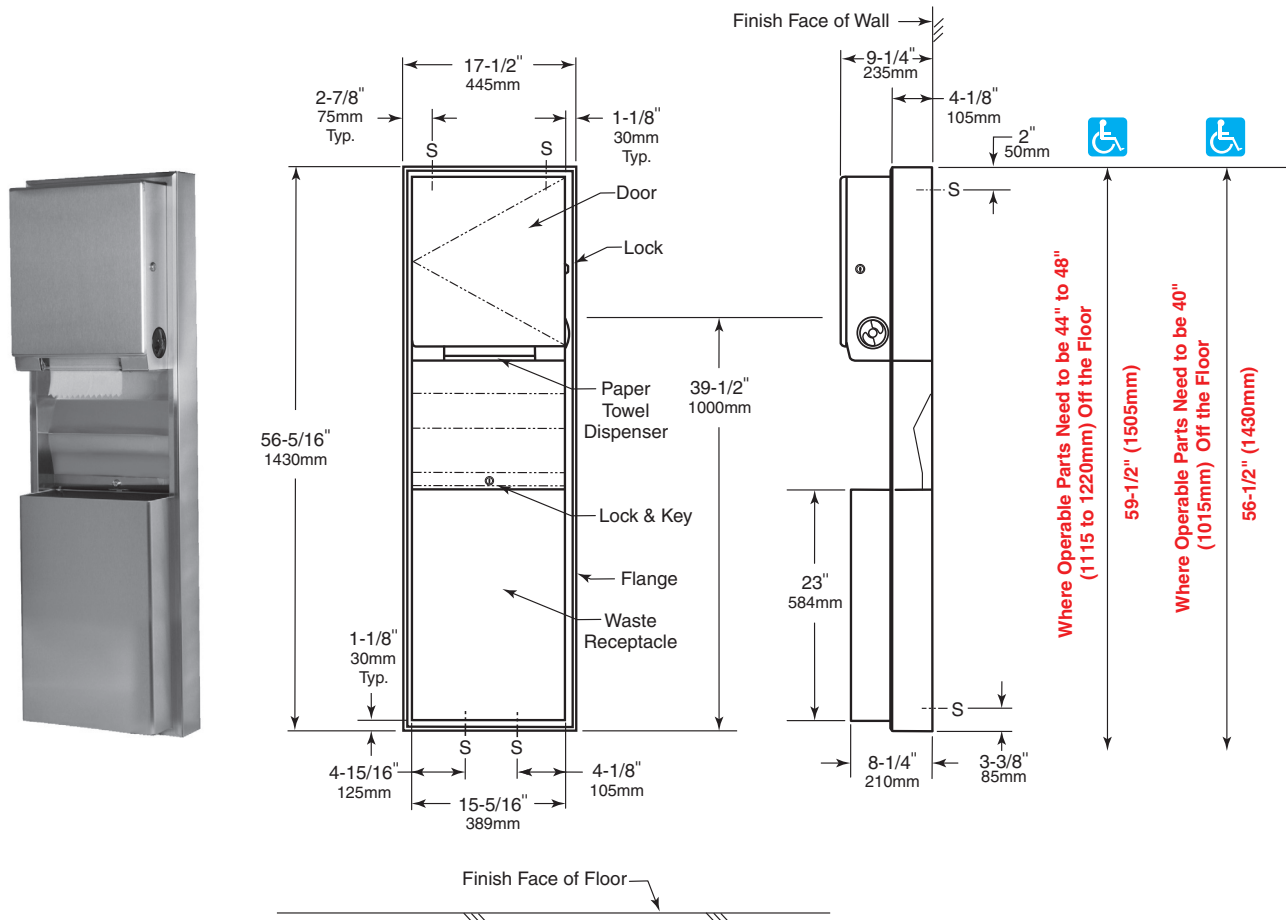




Technical Data

Classic Series Surface Mounted Convertible
Paper Towel Dispenser and Waste Receptacle
B39619



MATERIALS:

Cabinet — 18-8, type-304, heavy-gauge stainless steel. Welded construction. Exposed surfaces have satin-finish. Equipped with a tumbler lock keyed like other Bobrick washroom accessories.

Flange — 18-8, type-304, 22-gauge (0.8mm) stainless steel with satin-finish. Drawn and beveled, one-piece, seamless construction.

Skirt — 18-8, type-304, 22-gauge (0.8mm) stainless steel with satin-finish.

Door — 18-8, type-304, 20-gauge (0.9mm) stainless steel with satin-finish. Drawn, one-piece, seamless construction. Secured to cabinet with a full-length stainless steel piano-hinge. Equipped with a concealed tumbler lock keyed like other Bobrick washroom accessories.

Touch-Free Roll Towel Mechanism — Durable, high-impact resin materials. Accepts standard-core rolls up to 8" (205mm) wide, 8" (205mm) diameter. 800 ft (244mm) long. Dispenses one 12" (300mm) length of towel paper per pull. Accommodates up to 3-1/2" (90mm) diameter stub roll with automatic transfer to full roll.

Waste Receptacle — 18-8 type-304, 22-gauge (0.8mm) stainless steel with satin finish. Front and sides of bottom and all top edges are hemmed for safe handling. Secured to cabinet with a tumbler lock keyed like other Bobrick washroom accessories. Capacity: 12-gal. (45.5-L).

continued . .

The illustrations and descriptions herein are applicable to production as of the date of this Technical Data Sheet. The manufacturer reserves the right to, and does from time to time, make changes and improvements in designs and dimensions.

Revised 8/5/13



Technical Data

Classic Series Surface Mounted Convertible
Paper Towel Dispenser and Waste Receptacle
B39619

OPERATION:

Touch-Free roll towel dispensing mechanism dispenses one 12" (300mm) length of towel per pull and operates smoothly and quietly. User only touches the paper. Exterior paper towel feed wheel available for use when filling dispenser and for use to advance paper should it become necessary to feed paper through dispenser. Automatic transfer dispenses stub roll before new roll is dispensed. When stub roll is depleted, advancement of paper towel feed wheel allows the main roll to start dispensing without the need to open dispenser. Dispenser accommodates up to 8" (205mm) wide, 8" (205mm) diameter, non-perforated paper towel rolls and dispenses with less than 5 pounds of force (22.2 N) to comply with barrier-free accessibility guidelines (including ADAAG in U.S.A.).

To empty waste receptacle, unlock with key provided.

NOTE: To accommodate disposable trash liners, order LinerMate®, sold as an optional accessory item. LinerMate eliminates unsightly trash liner overhang and facilitates installation and removal of disposable trash liners in the 12-gallon waste receptacle.

Options:

- Folded Towel Dispenser Module convertible in field: order Bobrick Part No. 3944-52.
- Automatic, Universal Roll Towel Dispenser Module convertible in field: order Bobrick Part No. 3974-50.
- 18-gallon Waste Receptacle: order Bobrick Part No. 368-60.
- Reusable Vinyl Liner: order Bobrick Part No. 368-16.
- LinerMate® for 12-gal waste only: order Bobrick Part No. 3944-134.

INSTALLATION:

Mount unit on wall with #8 x 1-1/4" (4.2 x 32mm) sheet-metal screws, (not furnished), at points indicated by an S. For plaster or dry wall construction, provide concealed backing to comply with local building codes, then secure unit with #8 x 1-1/4" (4.2 x 32mm) sheet-metal screws (not furnished). For other wall surfaces, provide fiber plugs or expansion shields for use with #8 x 1-1/4" (4.2 x 32mm) sheet-metal screws (not furnished), or provide 1/8" (3mm) toggle bolts or expansion bolts. If unit projects above top of wainscot, provide aluminum channel or other filler to eliminate gap between skirt and finish face of wall.

SPECIFICATION:

Surface-mounted convertible touch-free roll towel dispenser and waste receptacle shall be type-304 stainless steel with welded construction; exposed surfaces shall have satin finish. Flange shall be drawn and beveled, one-piece, seamless construction. Door shall be secured to cabinet with a full-length stainless steel piano-hinge and equipped with a tumbler lock keyed like other Bobrick washroom accessories. Towel mechanism accommodates up to 8" (205mm) wide, 8" (205mm) diameter, non-perforated paper towel rolls. 800 ft (244mm) long. Touch-Free pull towel mechanism dispenses one 12" (300mm) length of towel per pull. User only touches that paper. Automatic transfer shall dispense stub roll up to 3-1/2" (90mm) diameter before new roll is dispensed. Equipped with paper towel feed wheel for use in filling the dispenser, or for user to advance paper should it become necessary to feed paper through dispenser. Paper towels are dispensed with pull force of less than 5 pounds of force (22.2 N) to comply with barrier-free accessibility guidelines (including ADAAG in U.S.A.). Removable waste receptacle shall be secured to cabinet with a tumbler lock keyed like other Bobrick washroom accessories, have front and side edges of bottom and all top edges hemmed for safe handling, and shall have a minimum capacity of a 12-gal. (45.5-L).

Surface-Mounted Convertible Roll-Paper-Towel Dispenser and Waste Receptacle shall be Model B-39619 of Bobrick Washroom Equipment, Inc., Clifton Park, New York; Jackson, Tennessee; Los Angeles, California; Bobrick Washroom Equipment Company, Scarborough, Ontario; Bobrick Washroom Equipment Pty. Ltd., Australia; and Bobrick Washroom Equipment Limited, United Kingdom.