



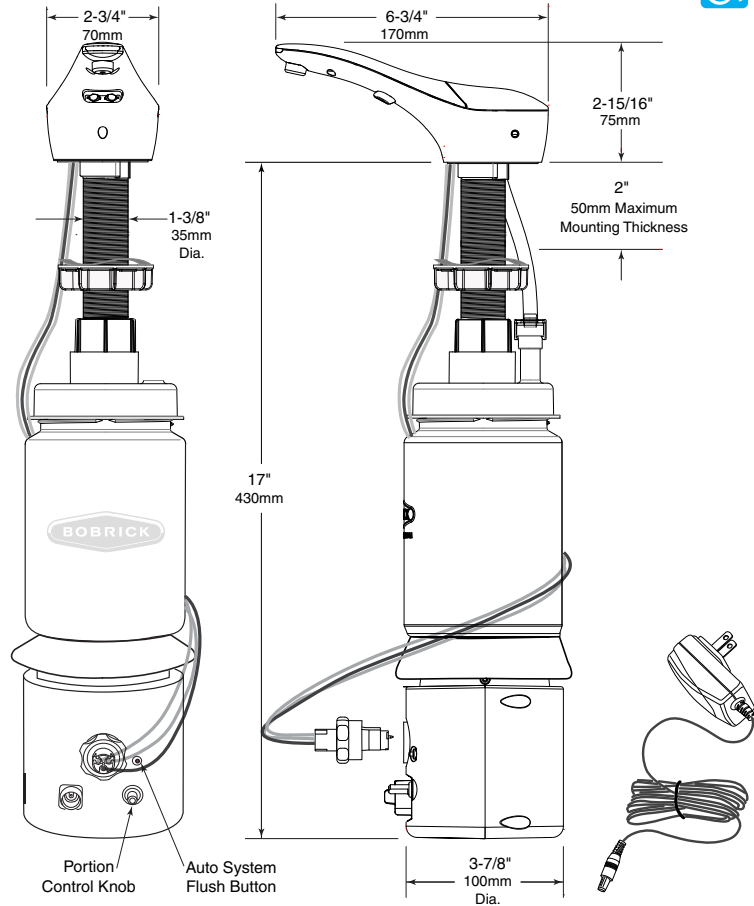
# Technical Data

Designer Series Counter Mounted Automatic Liquid Soap Dispenser B85\_ Series

- Specify Finish Required:
- B-850 Polished Brass
  - B-852 Matte Black
  - B-855 Brushed Nickel
  - B-856 Polished Nickel
  - B-858 Polished Chrome



Patents Pending



### MATERIALS:

Spout and Stem Assembly — Above the counter - durable die cast zinc, available in five finishes:

Finish Type	Liquid
Polished Brass	B-850
Matte Black	B-852
Brushed Nickel	B-855
Polished Nickel	B-856
Polished Chrome	B-858

Unit equipped with a spring loaded 180° rotatable lid with concealed locking mechanism for top filling. Rotatable lid mechanism consists of metal components. Integrated to Spout are a grey plastic Dispense Tip and Activation Lens Housing. Delrin Stem connects to Plastic Bottle.

continued . . .

The illustrations and descriptions herein are applicable to production as of the date of this Technical Data Sheet. The manufacturer reserves the right to, and does from time to time, make changes and improvements in designs and dimensions.

Revised 3/30/20



# Technical Data

Designer Series Counter Mounted  
Automatic Liquid Soap Dispenser  
B85\_ Series

**Soap Bottle** — Translucent, shatter-resistant high-density polyethylene. Capacity: 34-fl oz (1.0-L).

**Pump and Soap Delivery System** — A plastic Gear Pump submerged in the bottom of the Bottle, pumps the liquid soap through a vinyl tube to spout.

**Bottom Housing** — Water-resistant, ABS plastic housing attached to the bottom of the Bottle houses the PC Board, motor that drives the Gear Pump, and the Gear Pump Housing. It includes a Portion Control Knob, Flush Button to allow for system cleaning and maintenance, a connector for the Fiber Optic cables, and Power Port.

**Electronic Activation/Indication System** — Pair of plastic Fiber Optic cables connects the plastic Activation Lenses to an IR Sensor located on a PC Board in the Bottom Housing. A third plastic Fiber Optic cable connects an LED located on the PC Board to an acrylic Lens at the tip of the Spout. All three cables are Integrated into one Fiber Optic Connector Tip for ease of installation.

6V AC Adapter — 6V AC Adapter with U.S. Plug comes standard.

## OPERATION:

To fill dispenser, insert tip of standard BobKey provided into opening of the concealed locking mechanism in the Spout Assembly with spout body to disengage door for quick and easy top filling. Lid will rotate open for filling dispenser with bulk **liquid** hand soap only. Rotate door counter-clockwise to close and lock in place.

To activate dispenser, place hand under spout near the sensor for approximately 1/2 second. Spout dispenses adjustable amount (adjustment range approximately .4 to 3ml) of liquid hand soap of various viscosities ranging from 100 to 19,000 cP (centipoise).

LED Lights
Flash Green → Standby mode
No Light → During activation
Flash Red → Object remains in activation zone after single activation

*Designers Note:* Bobrick liquid soap dispensers are designed to dispense commercially marketed all purpose liquid hand soaps that are not alcohol or iodine based.

## INSTALLATION:

Unit is designed for installation into counters up to 2" (50mm) maximum thickness with 1-3/8" (35mm) diameter mounting hole. Unit may be mounted through special hole requisitioned when lavatory is ordered from manufacturer (specify hole location). Recommended mounting location is between 6" to 8" (150 to 205mm) from back wall and 3" (75mm) from the sink rim to the center of the mounting hole. Minimum 18" (455mm) vertical and 5" (125mm) diameter clearance required for soap bottle and bottom housing below mounting hole. Plug AC Adapter into wall and end plug into power port on bottom housing.

*Designers Note:* For sinks with rim over the counter area, ensure that rim does not come in contact with activation area. Please refer to 858-191 Installation Instructions.

## SPECIFICATIONS:

Designer Series Counter-Mounted Automatic Liquid Soap Dispenser shall dispense adjustable amount .4 to 3ml of commercially marketed all-purpose bulk liquid hand soaps, do not use iodine based or alcohol based soaps or sanitizers. Spout assembly shall be die cast zinc, with one of four finishes. Stem is integrated with spout and shall be Delrin plastic and accommodate up to 2" (50mm) thick counter tops. Unit shall be equipped with oversized funnel shape opening, covered by a 180° rotatable lid with concealed locking mechanism to allow for top filling. Unit shall have LED indicators to show unit is ready for activation. Unit shall have IR Sensor located on PC board housed in a water-resistant plastic housing. Activation Lens shall allow for defined activation range to eliminate chance of false activation during hand washing. Portion Control Knob shall allow field adjustment of desired volume of soap dispensed per hand wash. Unit shall be equipped with an Automatic System Flush Button to allow for cleaning and maintenance. Comes with 6V AC adapter.

**Designer Series Counter-Mounted Automatic Liquid Soap Dispenser shall be \_\_\_\_\_ (insert model number) of Bobrick Washroom Equipment, Inc., Clifton Park, New York; Jackson, Tennessee; Los Angeles, California; Bobrick Washroom Equipment Company, Scarborough, Ontario; Bobrick Washroom Equipment Pty. Ltd., Australia; and Bobrick Washroom Equipment Limited, United Kingdom.**

The illustrations and descriptions herein are applicable to production as of the date of this Technical Data Sheet. The manufacturer reserves the right to, and does from time to time, make changes and improvements in designs and dimensions.

Revised 3/30/20