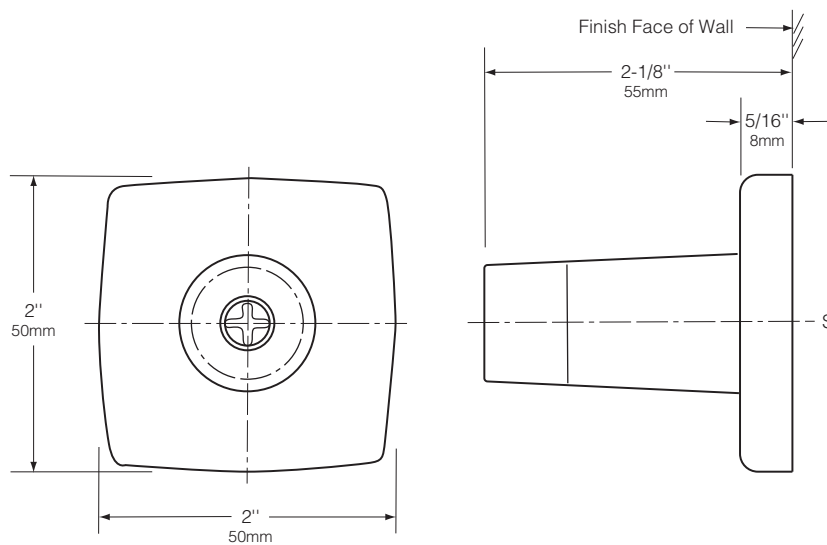
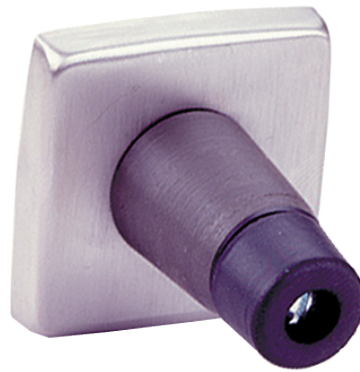




Technical Data

Surface Mounted Door Bumper
B687, B6877



MATERIALS:

Post — Black nylon.

Bumper — Black neoprene.

Base — 18-8 S, type-304, 22-gauge (0.8mm) stainless steel.

INSTALLATION:

Mount unit on wall with sheet-metal screw furnished by manufacturer at point indicated by an S.

SPECIFICATION:

Surface-mounted door bumper shall have base constructed of type-304 stainless steel with bright polished finish. Unit shall be equipped with black neoprene bumper. Manufacturer's service and parts manual shall be provided to the building owner/manager upon request.

Surface-Mounted Door Bumper shall be Model B-687 of Bobrick Washroom Equipment, Inc., Clifton Park, New York; Jackson, Tennessee; Los Angeles, California; Bobrick Washroom Equipment Company, Scarborough, Ontario; Bobrick Washroom Equipment Pty. Ltd., Australia; and Bobrick Washroom Equipment Limited, United Kingdom.

The illustrations and descriptions herein are applicable to production as of the date of this Technical Data Sheet. The manufacturer reserves the right to, and does from time to time, make changes and improvements in designs and dimensions.

Revised 4/07