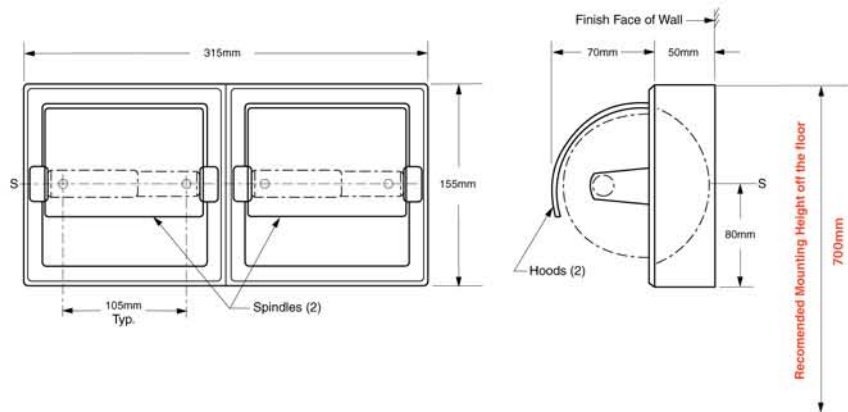




Technical Data

Surface Mounted Double Roll
Toilet Tissue Dispenser With Hoods
B6999-B69997

Specify Model Required: Model B-6999 Bright polished stainless steel
 Model B-69997 Satin-finish stainless steel



MATERIALS:

Shell and Flange — 18-8 S, type-304, 22-gauge (0.8mm) stainless steel. Drawn, one-piece, seamless construction with four countersunk mounting holes.

Support Posts (4) — Heavy-duty cast zamak with chrome-plated finish.

Hoods (2) — 18-8 S, type-304, 18-gauge (1.2mm) stainless steel. Hoods hinged to shell.

Spindles (2) — Chrome-plated plastic equipped with heavy-duty internal springs.

Designer's Note: Theft-resistant toilet tissue spindles, which are removable only with special key provided, are available as an optional accessory. To specify, add suffix .60 to model number. Example: B-6999.60.

INSTALLATION:

Mount unit on wall or partition with four sheet-metal screws, furnished by manufacturer, at points indicated by an S.

For partitions with particle-board or other solid core, secure with sheet-metal screws furnished, or provide through-bolts, nuts, and washers.

For hollow-core metal partitions, provide solid backing into which the furnished sheet-metal screws can be secured.

For plaster or dry wall construction, provide concealed backing to comply with local building codes, then secure unit with sheet-metal screws furnished.

For other wall surfaces, provide fiber plugs or expansion shields for use with sheet-metal screws furnished, or provide 1/8" (3mm) toggle bolts or expansion bolts.

SPECIFICATION:

Surface-mounted dual-roll toilet tissue dispenser shall be type-304 stainless steel with _____ (insert one: bright polished or satin) finish. Shell and flange shall be 22 gauge (0.8mm) and have drawn, one-piece, seamless construction. Unit shall be equipped with 18-gauge (1.2mm) hoods hinged to shell. *Spindles shall be chrome-plated plastic with heavy-duty internal springs. Manufacturer's service and parts manual shall be provided to the building owner/manager upon request.

**To specify theft-resistant spindles as an optional accessory, add to specification:* Theft-resistant toilet tissue spindles shall be removable only with special key provided.