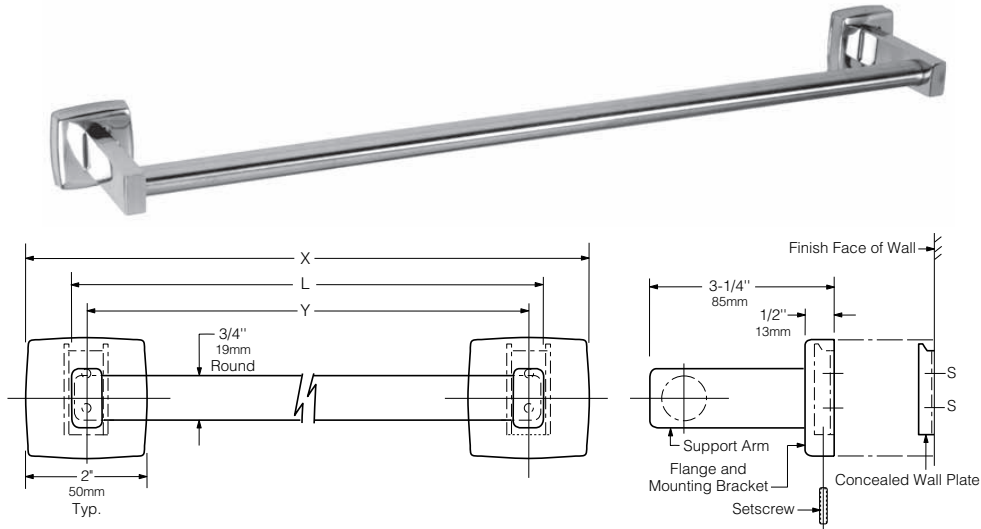




Technical Data

Surface Mounted Towel Bar
B7674, B76747

Specify Model Required: Model B-7674 Bright polished stainless steel
 Model B-76747 Satin-finish stainless steel



STANDARD STOCK SIZES

Model No.	Bar Length L	Overall Length X	Centerline-to-Centerline Y
B-7674 x 18	18" (455mm)	19-5/8" (500mm)	17-5/8" (450mm)
B-76747 x 18	18" (455mm)	19-5/8" (500mm)	17-5/8" (450mm)
B-7674 x 24	24" (610mm)	25-5/8" (650mm)	23-5/8" (600mm)
B-76747 x 24	24" (610mm)	25-5/8" (650mm)	23-5/8" (600mm)

MATERIALS:

Flanges & Support Arms (2) — 18-8 S, type-304, 22-gauge (0.8mm) stainless steel. Each flange has a concealed, 18-gauge (1.2mm) stainless steel mounting bracket. All-welded construction. Secured to wall plates with stainless steel setscrews.

Concealed Wall Plates (2) — 18-8 S, type-304, 19-gauge (1.0mm) stainless steel.

Towel Bar — 18-8 S, type-304, heavy-gauge stainless steel. Seamless, 3/4" (19mm) diameter tubing.

INSTALLATION:

To remove concealed wall plates from back of flanges and mounting brackets, loosen setscrews. Mount each wall plate so prongs are at top; secure with sheet-metal screws, furnished by manufacturer, at points indicated by an S. Engage mounting brackets onto prongs of wall plates, then secure unit into position by tightening setscrews at bottom of flanges.

Note: Centerline-to-centerline of concealed wall plates must be within 1/16" (1.6mm) of dimension (Y) shown in table above.

For plaster or dry wall construction, provide concealed backing to comply with local building codes, then secure unit with sheet-metal screws furnished. For other wall surfaces, provide fiber plugs or expansion shields for use with sheet-metal screws furnished, or provide 1/8" (3mm) toggle bolts or expansion bolts.

SPECIFICATION:

Surface-mounted towel bar shall be type-304 stainless steel with _____ (insert one: bright polished or satin) finish. Flanges and support arms shall be 22 gauge (0.8mm) and equipped with concealed, 18-gauge (1.2mm) mounting brackets that are secured to concealed, 19-gauge (1.0mm) wall plates with stainless steel setscrews. Towel bar shall be seamless, 3/4" (19mm) diameter tubing. Manufacturer's service and parts manual shall be provided to the building owner/manager upon request

Surface-Mounted Towel Bar shall be Model _____ (insert model number) of Bobrick Washroom Equipment, Inc., Clifton Park, New York; Jackson, Tennessee; Los Angeles, California; Bobrick Washroom Equipment Company, Scarborough, Ontario; Bobrick Washroom Equipment Pty. Ltd., Australia; Bobrick Washroom Equipment Limited, United Kingdom.